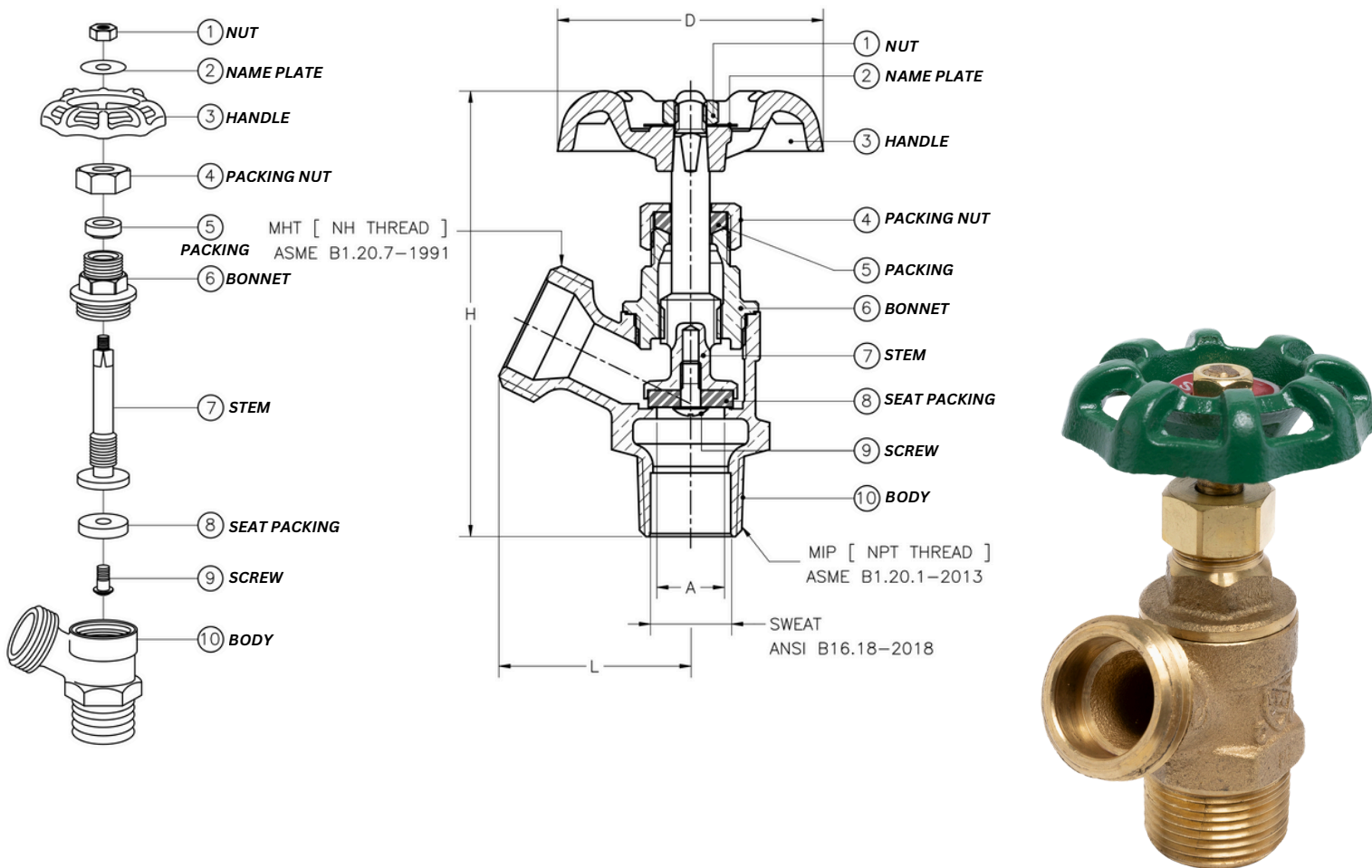


## 15305 SERIES - LEAD FREE BRASS BOILER DRAIN



### SPECIFICATION

LEAD FREE BRASS BODY  
 SIZE: 1/2" - 3/4"  
 CONNECTION: MIP X MHT  
 TEMPERATURE RATING MAX: 160°F  
 PRESSURE RATING: 125 PSI  
 NSF/ANSI/CAN 61/372  
 GREEN HANDLE

### COMPONENTS

N°	DESCRIPTION	MATERIAL
1	NUT	HOT ROLLED SAE 1010R
2	NAME PLATE	ALUMINIUM A1100
3	HANDLE	CAST IRON JIS Z2202
4	PACKING NUT	BRASS ROD C37700
5	PACKING	RUBBER (NBR) SN-719F
6	BONNET	CAST BRASS C46400 MOD
7	STEM	CAST BRASS C46400 MOD
8	SEAT PACKING	RUBBER (NBR) SN-819-F
9	SCREW	FORGED BRASS C26000
10	BODY	CAST BRASS C46400 MOD

### DIMENSIONS

CODE	SIZE	A	D	H	L	INCHES
15305-005	1/2" MIP & 1/2" FIP X 3/4" MHT	13.5	53	88.9	37	
15305-007	3/4" MIP X 3/4" MHT	13.5	53	89.2	37	