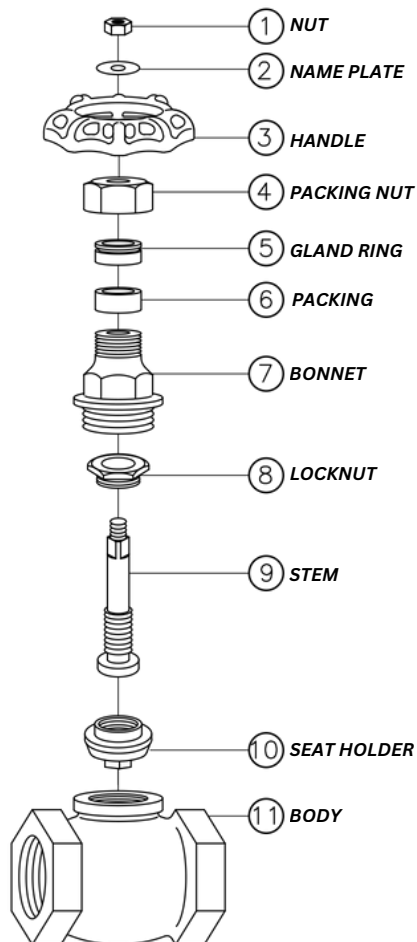
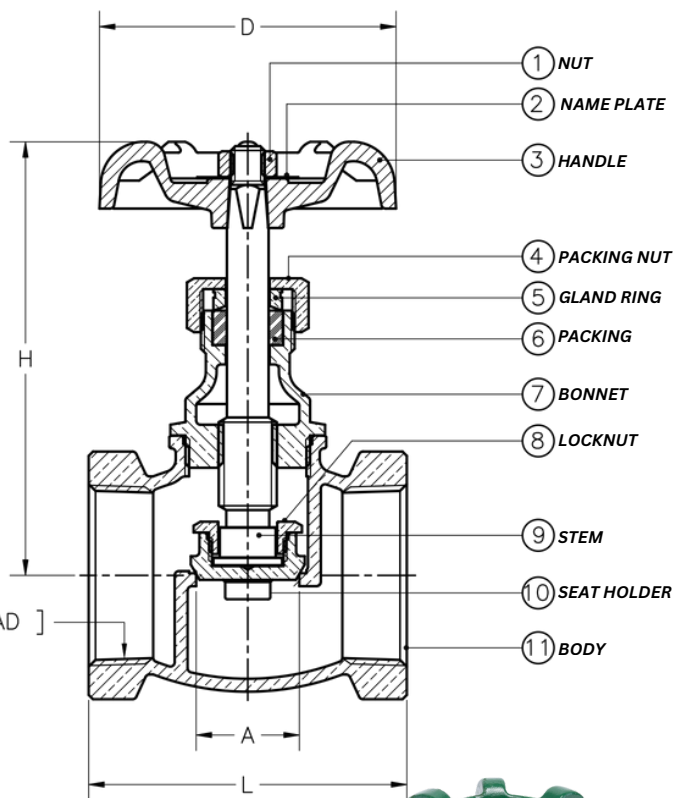


15060 SERIES - LEAD FREE BRASS GLOBE VALVE



FIP X 2 [NPT THREAD]
ASME B1.20.1-2013



SPECIFICATION

LEAD FREE BRASS BODY

SIZE: 3/8" - 2"

CONNECTION: NPT X NPT

TEMPERATURE RATING MAX: 180°F

PRESSURE RATING: 200 WOG. NON SHOCK

NSF/ANSI/CAN 61/372

GREEN HANDLE

DIMENSIONS

INCHES

CODE	SIZE	A	D	H	L
15060-003	3/8"	13	53	67	47
15060-005	1/2"	13	53	67	48
15060-007	3/4"	14.5	54	72	56
15060-010	1"	19	63	87	65
15060-012	1-1/4"	24	69	101	74
15060-015	1-1/2"	30	80	118	84
15060-020	2"	37	89.5	134	99.5

COMPONENTS

N°	DESCRIPTION	MATERIAL
1	NUT	HOT ROLLED SAE 1010R
2	NAME PLATE	ALUMINUM A1100
3	HANDLE	CAST IRON JIS ZZ2202
4	PACKING NUT	BRASS ROD C37700
5	GLAND RING	BRASS ROD C37700
6	PACKING	TEFLON POLYFLON PTFE M-392
7	BONNET	CAST BRASS C46400 MOD
8	LOCKNUT	BRASS ROD C46400
9	STEM	BRASS C46400
10	SEAT HOLDER	BRASS C46400
11	BODY	CAST BRASS C46400 MOD