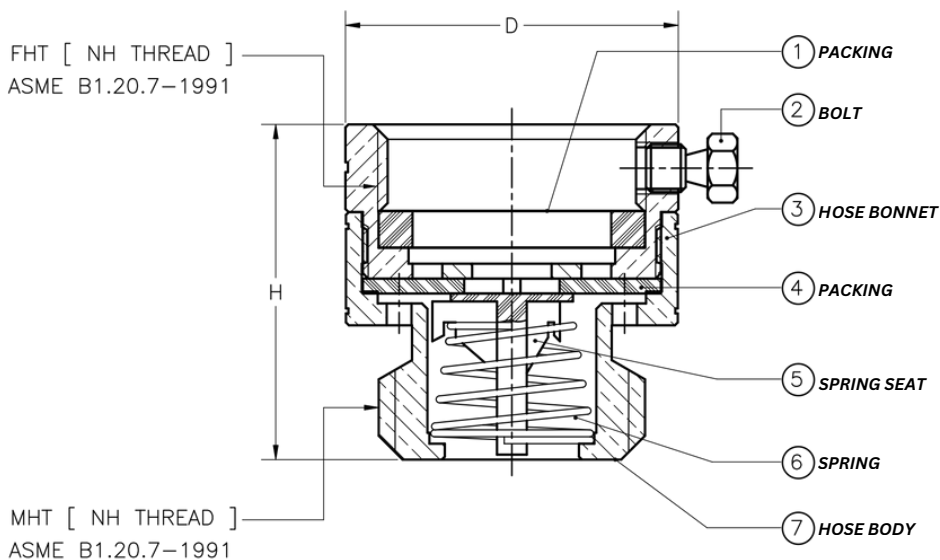
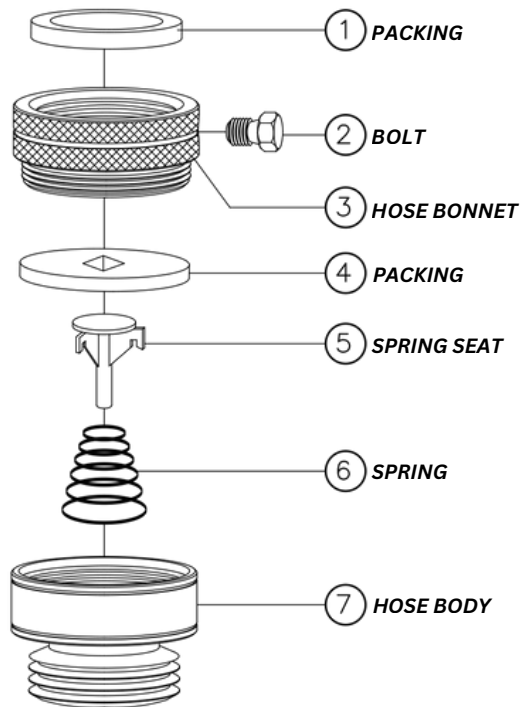


15400 SERIES - LEAD FREE BRASS VACUUM BREAKER



SPECIFICATION

LEAD FREE BRASS BODY

SIZE: 3/4"

FHT X MHT CONNECTION

MAX TEMPERATURE RATING: 180°F

PRESSURE RATING: 125 PSI

NSF/ANSI/CAN 61/372

COMPONENTS

N°	DESCRIPTION	MATERIAL
1	PACKING	RUBBER (NBR) SN-719F
2	BOLT	BRASS ROD C37700
3	HOSE BONNET	BRASS ROD C46400
4	PACKING	RUBBER (NBR) SN-719F
5	SPRING SEAT	POM M90 FORMOCON FM090 CF500P
6	SPRING	STAINLESS STEEL 304
7	HOSE BODY	BRASS ROD C46400

DIMENSIONS

INCHES

CODE	SIZE	D	H
15400-007	3/4"	33.5	33.7