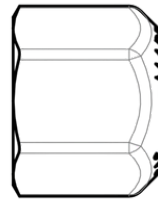
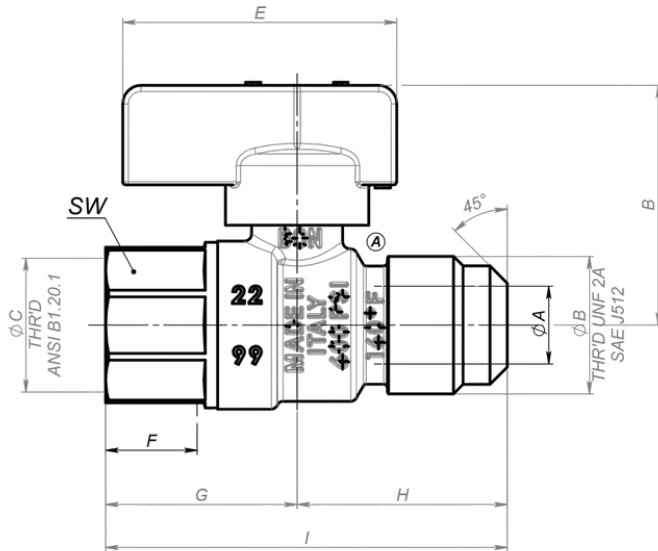


12570 SERIES

BRASS BALL VALVE FEMALE NPT X FLARE WITH BLACK HANDLE



MADE IN ITALY

SPECIFICATION

BRASS BODY
 SIZES: 5/8 " X 1/2"
 CONNECTION: FEMALE NPT X FLARE
 ENDS: 45°
 BLACK T-HANDLE
 STANDARD: ANSI Z21.15
 PRESSURE:
 580 PSI
 TEMPERATURE: -4° F TO 302° F
 APPLICATION: HOT AND COLD WATER,
 COMPRESSED AIR, OILS, NON-AGGRESSIVE MEDIA
 DIRECTION OF FLOW: IN BOTH WAY

COMPONENTS

N°	DESCRIPTION	MATERIAL
1	BODY	CW 617 N
2	END ADAPTER	CW 617 N
3	STEM	CW 614 N
4	O-RINGS	VITON
5	BALL	CW 614 N
6	BALL GASKETS	PTFE
7	LEVER	ALLUMINIUM
8	SCREW	STEEL 8G
9	NUT	CW 614N

DIMENSIONS

												INCHES	
CODE	SIZE	ØA	ØB	ØC	D	E	F	G	H	I	SW	PN	
12570-005	5/8 " X 1/2"	0.49	7.8" - 0.55	1/2"	1.50	1.73	0.58	1.21	1.33	2.54	25	40	