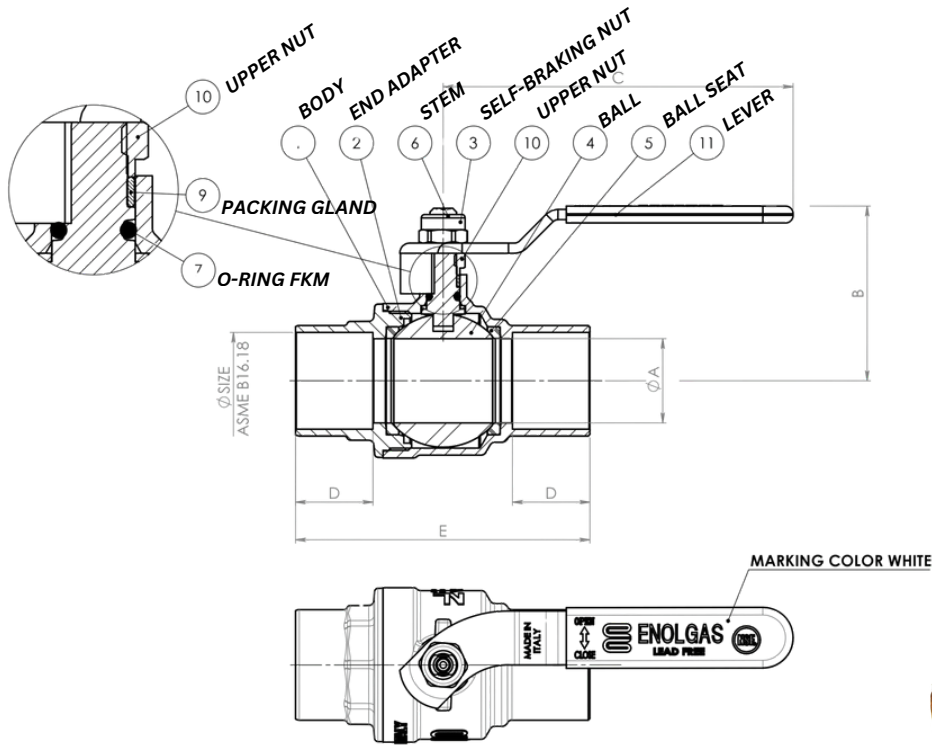


## 12413 SERIES

### LEAD FREE BRASS BALL VALVE FULL PORT SWT X SWT - STEEL HANDLE



**MADE IN ITALY**

#### SPECIFICATION

LEAD FREE BRASS BODY  
 SIZES: 1/2"-2"  
 CONNECTION: SWEAT X SWEAT  
 CERTIFICATIONS: CSA | FM | NSF | LEAD FREE  
 STANDARD: ANSI  
 PRESSURE: 600 PSI  
 DIRECTION OF FLOW: IN BOTH WAYS  
 TEMPERATURE RANGE: -4° F TO 266° F  
 APPLICATION: HOT AND COLD WATER, COMPRESSED AIR,  
 OILS, ALL KINDS OF GASES, NON-AGGRESSIVE FLUIDS  
 GREEN HANDLE

#### COMPONENTS

| N° | DESCRIPTION      | MATERIAL       |
|----|------------------|----------------|
| 1  | BODY             | CW510L PB<0,1% |
| 2  | END ADAPTER      | CW510L PB<0,1% |
| 3  | SELF-BRAKING NUT | AVP STEEL      |
| 4  | BALL             | AISI304        |
| 5  | BALL SEAT        | PTFE           |
| 6  | STEM             | CW510L PB0,1%  |
| 7  | O-RING FKM       | FKM            |
| 8  | THRUST WASHER    | PTFE           |
| 9  | PACKING GLAND    | PTFE           |
| 10 | UPPER NUT        | CW614N         |
| 11 | LEVER            | STEEL          |

#### DIMENSIONS

| CODE      | SIZE   | DN    | øA    | B     | C     | D     | E     | INCHES |
|-----------|--------|-------|-------|-------|-------|-------|-------|--------|
| 12413-005 | 1/2"   | 0.59  | 0.59  | 1.614 | 3.543 | 0.492 | 2.067 |        |
| 12413-007 | 3/4"   | 0.787 | 0.787 | 1.949 | 4.134 | 0.748 | 2.874 |        |
| 12413-010 | 1"     | 0.984 | 0.984 | 2.027 | 4.134 | 0.905 | 3.445 |        |
| 12413-012 | 1-1/4" | 1.26  | 1.26  | 2.441 | 5.512 | 0.964 | 3.937 |        |
| 12413-015 | 1-1/2" | 1.574 | 1.5   | 2.795 | 5.512 | 1.102 | 4.646 |        |
| 12413-020 | 2"     | 1.968 | 1.969 | 3.307 | 6.693 | 1.338 | 5.551 |        |