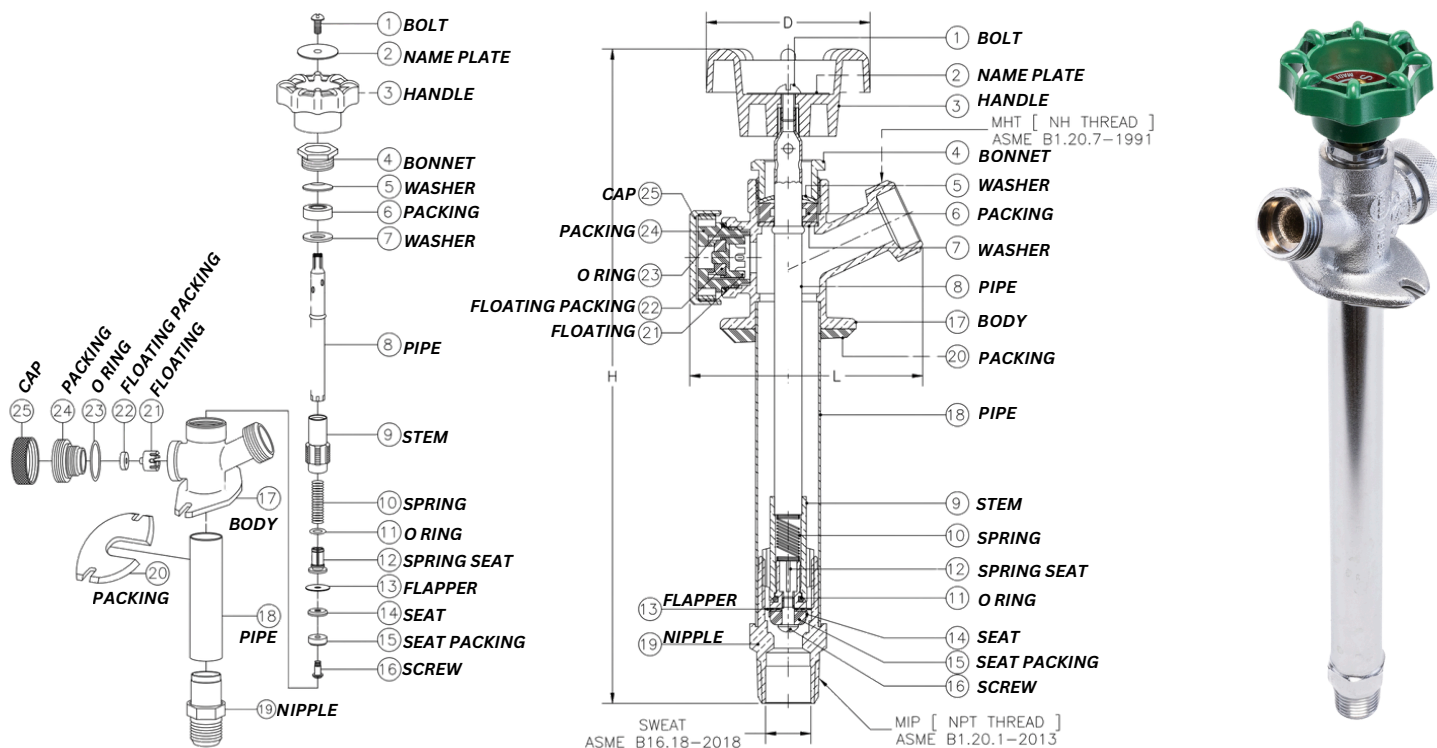


15000 SERIES - LEAD FREE FROST FREE SILLCOCK - ANTI SIPHON



SPECIFICATION

LEAD FREE
 SIZE: 1/2" X 4" - 1/2" X 14"
 MIP X SWEAT CONNECTION
 MAX TEMPERATURE RATING: 140°F
 PRESSURE RATING: 125 PSI
 NSF/ANSI/CAN 61/372
 GREEN HANDLE
 ANTI-SIPHON

DIMENSIONS

DIMENSIONS		INCHES		
CODE	SIZE	D	H	L
15000-040	1/2" MIP & 1/2" SWEAT X 3/4" MHT X 4"	56	219.5	78
15000-060	1/2" MIP & 1/2" SWEAT X 3/4" MHT X 6"	56	270.5	78
15000-080	1/2" MIP & 1/2" SWEAT X 3/4" MHT X 8"	56	321.5	78
15000-100	1/2" MIP & 1/2" SWEAT X 3/4" MHT X 10"	56	372.5	78
15000-120	1/2" MIP & 1/2" SWEAT X 3/4" MHT X 12"	56	424.5	78
15000-140	1/2" MIP & 1/2" SWEAT X 3/4" MHT X 14"	56	475.5	78

COMPONENTS

N°	DESCRIPTION	MATERIAL
1	BOLT	FORGED BRASS C26000
2	NAME PLATE	ALUMINIUM A1100
3	HANDLE	ALUMINIUM A1100
4	BONNET	BRASS ROD C37700
5	WASHER	STAINLESS STEEL 304
6	PACKING	RUBBER (NBR) SN-719F
7	WASHER	STAINLESS STEEL 304
8	PIPE	BRASS (COPPER ALLOY NOS.27000)
9	STEM	BRASS ROD C46400
10	SPRING	STAINLESS STEEL 304
11	O RING	RUBBER (NBR) SN-719-F
12	SPRING SEAT	BRASS ROD C46400
13	FLAPPER	RUBBER (NBR) SN-719-F
14	SEAT	FORGED BRASS C26000
15	SEAT PACKING	RUBBER (NBR) SN-819-F
16	SCREW	FORGED BRASS C26000
17	BODY	CAST BRASS C46400 MOD
18	PIPE	BRASS (COPPER ALLOY NOS.27000)
19	NIPPLE	BRASS ROD C46400
20	PACKING	POM M90 FORMOCON FM090 CF500P
21	FLOATING	POM M90 FORMOCON FM090 CF500P
22	FLOATING PACKING	RUBBER (NBR) SN-719-F
23	O RING	RUBBER (NBR) SN-719-F
24	PACKING	POM M90 FORMOCON FM090 CF500P
25	CAP	BRASS ROD C37700