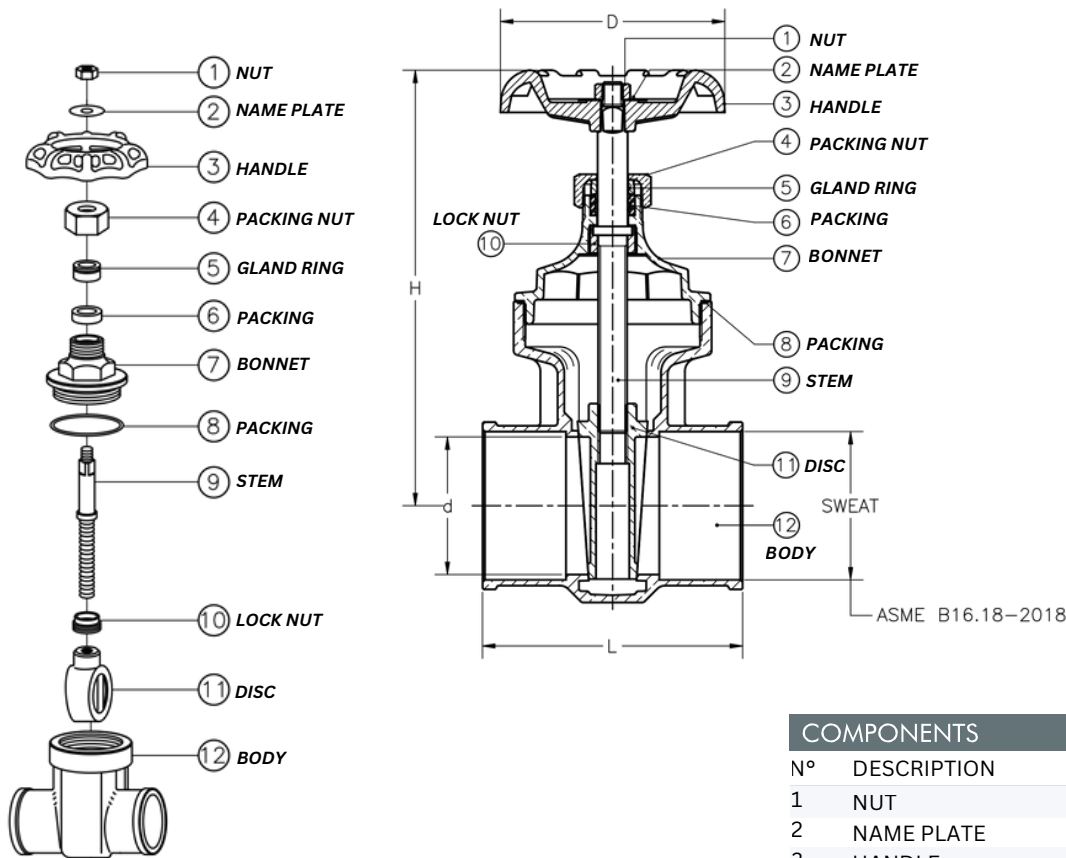


**15051 SERIES - NON FOR PORTABLE WATER BRASS FULL PORT GATE VALVE NPT X NPT**



**SPECIFICATION**

NON FOR POTABLE WATER BRASS BODY  
 SIZE: 1/4" - 4"  
 CONNECTION: NPT X NPT  
 MAX TEMPERATURE RATING: 180°F  
 PRESSURE RATING: 200 WOG  
 RED HANDLE  
 ANSI B1.20.1

**COMPONENTS**

N°	DESCRIPTION	MATERIAL
1	NUT	HOT ROLLED SAE 1010R
2	NAME PLATE	ALUMINUM A1100
3	HANDLE	CAST IRON JIS ZZ2202
4	PACKING NUT	BRASS ROD C37700
5	GLAND RING	BRASS ROD C37700
6	PACKING	RUBBER (NBR) SN-719F
7	BONNET	CAST BRASS C85700
8	PACKING	FIBRE
9	STEM	BRASS ROD C37700 (1/4" - 2") CAST BRASS C85700 (2-1/2" - 4")
10	LOCK NUT	BRASS ROD C37700
11	DISC	CAST BRASS C85700
12	BODY	CAST BRASS C85700

**DIMENSIONS**

**INCHES**

CODE	SIZE	d	D	H	L
15051-002	1/4"	11	53	73.1	43.5
15051-003	3/8"	12	53	73.1	43.5
15051-005	1/2"	13.5	53	73.1	43.5
15051-007	3/4"	19	54	81.7	46
15051-010	1"	25	63	95.9	54
15051-012	1-1/4"	32	69	115.2	57
15051-015	1-1/2"	38	80	128.9	62
15051-020	2"	49	89.5	149.4	68.5
15051-025	2-1/2"	62	101	197.4	94
15051-030	3"	75	111	223.5	102
15051-040	4"	92	123	247.1	115