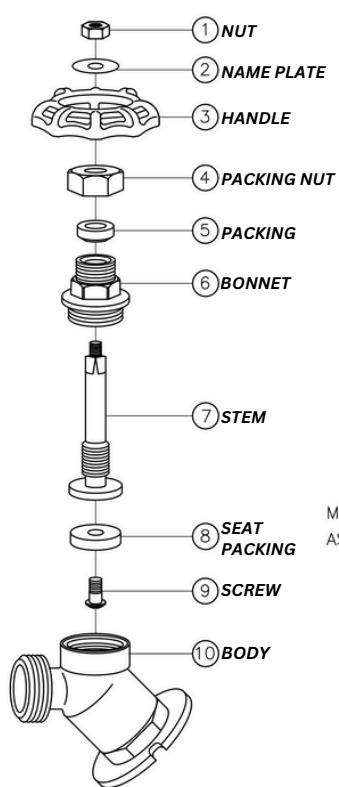
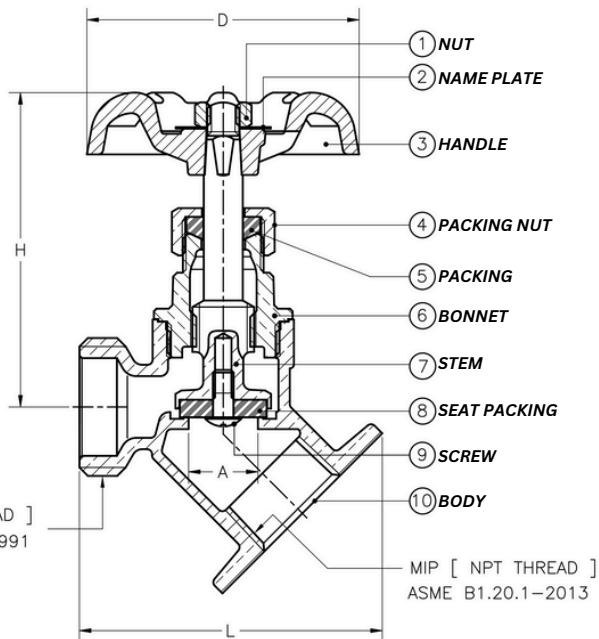


15306 SERIES - LEAD FREE BRASS SILLCOCK FIP



MHT [NH THREAD]
ASME B1.20.7-1991



SPECIFICATION

LEAD FREE BRASS BODY

SIZE: 1/2" - 3/4"

CONNECTION: FIP

TEMPERATURE RATING MAX: 160°F

PRESSURE RATING: 125 PSI

NSF/ANSI/CAN 61/372

GREEN HANDLE

COMPONENTS

| N° | DESCRIPTION | MATERIAL |
|----|--------------|-----------------------|
| 1 | NUT | HOT ROLLED SAE 1010R |
| 2 | NAME PLATE | ALUMINIUM A1100 |
| 3 | HANDLE | CAST IRON JIS Z2202 |
| 4 | PACKING NUT | BRASS ROD C37700 |
| 5 | PACKING | RUBBER (NBR) SN-719F |
| 6 | BONNET | CAST BRASS C46400 MOD |
| 7 | STEM | CAST BRASS C46400 MOD |
| 8 | SEAT PACKING | RUBBER (NBR) SN-819-F |
| 9 | SCREW | FORGED BRASS C26000 |
| 10 | BODY | CAST BRASS C46400 MOD |

DIMENSIONS

| CODE | SIZE | A | D | H | L | INCHES |
|-----------|---------------------|------|----|----|----|--------|
| 15306-005 | 1/2" FIP X 3/4" MHT | 13.5 | 53 | 61 | 57 | |
| 15306-007 | 3/4" FIP X 3/4" MHT | 13.5 | 53 | 61 | 61 | |