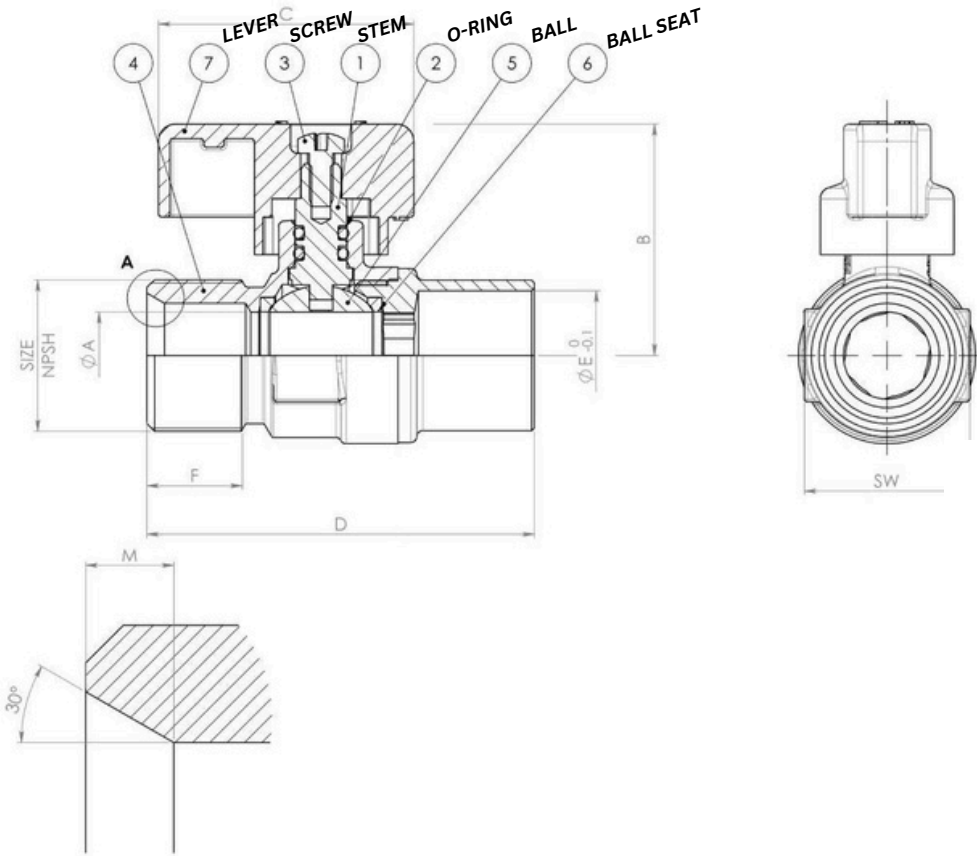


12601 SERIES BRASS BALL VALVE FLR X NPT BLACK HANDLE



MADE IN ITALY

SPECIFICATION

BRASS BODY
 SIZES: 3/4"
 BLACK T-HANDLE
 CONNECTION: FLR X NPT
 PRESSURE:
 580 PSI
 TEMPERATURE: -4°F TO 266°F
 APPLICATION: HOT AND COLD WATER,
 COMPRESSED AIR, OILS, NON-AGGRESSIVE FLUIDS
 DIRECTION OF FLOW: IN BOTH WAYS

COMPONENTS

N°	DESCRIPTION	MATERIAL
1	STEM	CW614N
2	O-RING	EGM 0.14
3	SCREW	ZINC PLATED STEEL
4		CW617N
5	BALL	CW614N
6	BALL SEAT	PTFE
7	LEVER	ALUMINUM

DIMENSIONS

INCHES

CODE	SIZE	DN	ØA	B	C	D	E	M	F	SW	PN	CV
12601-007	3/4" x 3/4"	0.787	0.591	1.575	1.732	2.628	0.881	0.118	0.61	1.122	40	17.4