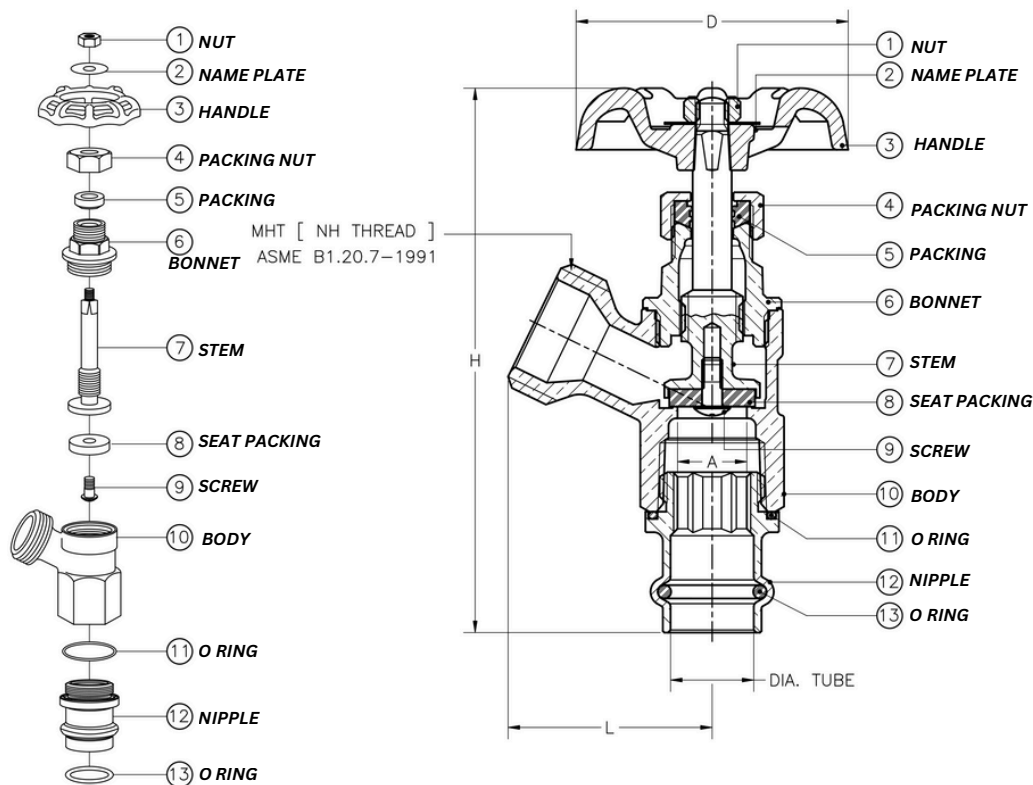


15304 SERIES - LEAD FREE BRASS PRESS X MHT BOILER DRAIN



SPECIFICATION

LEAD FREE BRASS BODY
 SIZE: 1/2" - 3/4"
 CONNECTION: PRESS X MHT
 TEMPERATURE RATING MAX: 160°F
 PRESSURE RATING: 200 WOG
 NSF/ANSI/CAN 61/372
 GREEN HANDLE

COMPONENTS

N°	DESCRIPTION	MATERIAL
1	NUT	HOT ROLLED SAE 1010R
2	NAME PLATE	ALUMINIUM A1100
3	HANDLE	CAST IRON JIS ZZ2202
4	PACKING NUT	BRASS ROD C37700
5	PACKING	RUBBER (NBR) SN-719F
6	BONNET	CAST BRASS C46400 MOD
7	STEM	CAST BRASS C46400 MOD
8	SEAT PACKING	RUBBER (NBR) SN-819-F
9	SCREW	FORGED BRASS C26000
10	BODY	CAST BRASS C46400 MOD
11	O RING	RUBBER (EDPM) SE-719-F
12	NIPPLE	BRASS ROD C46400
13	O RING	RUBBER (EDPM) SE-719-F

DIMENSIONS

CODE	SIZE	DIA. TUBE	A	D	H	H1	L	INCHES
15304-005	1/2" PRESS FITTING X 3/4" MHT	16.2	13.5	53	106.1	18.9	38	
15304-007	3/4" PRESS FITTING X 3/4" MHT	22.6	13.5	53	109.5	22	38	